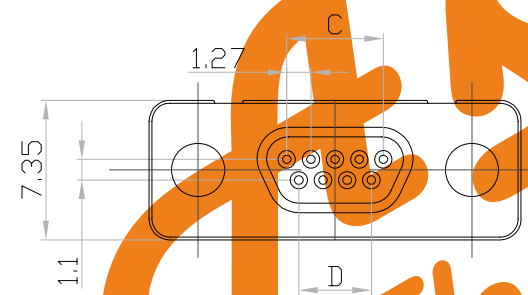
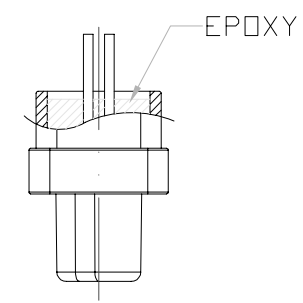
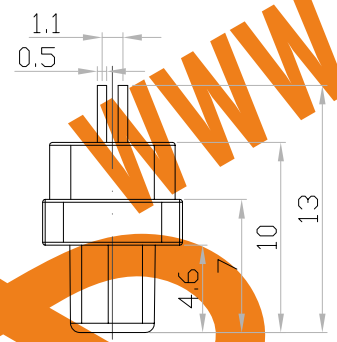
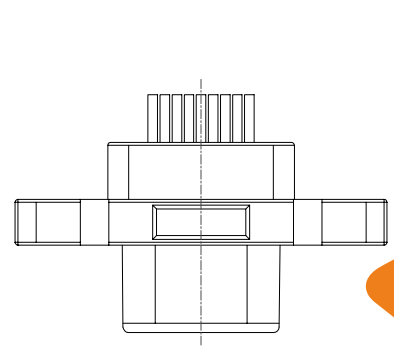
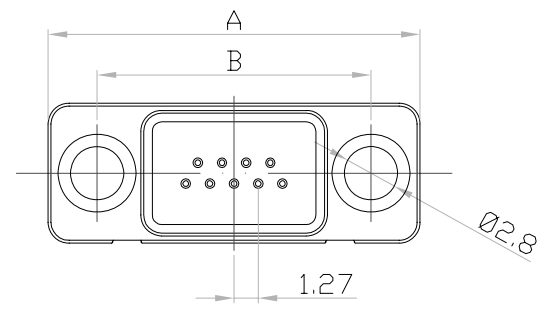


Rev	Revisions	Rev.Drawn	Date
A		Du	25.05.2010

TABLE A

P/N	NUMBER OF PINS	A	B	C	D
MD-09F2-01	9	19.55	14.35	5.08	3.81
MD-15F1-01	15	23.36	18.20	8.89	7.62
MD-25F2-01	25	29.70	24.55	15.24	13.97



1. MATERIAL :
- 1-1. PLASTIC SHELL : Zn ALLOY
  - 1-2. CONTACT : BERYLLIUM COPPER
2. FINISH :
- 2-1. PLASTIC SHELL : NICKEL ON OVER ALL
  - 2-2. CONTACT : GOLD 15u" ON CONTACT AERA  
BRIGHT TIN ON SOLDER AERA

SGS Report No.:	Customer:	Part No.:
		QC1000
Title: <b>Micro D-SUB FEMALE 9P-51P</b>		
Drawn By: Storm.Li	SCALE: 1:1	SHEET: 1/1
Checked By: du	REV: A	DWG NO.: 100514-01
Approved By: Tony	TOLERANCE: X. ±2MM .X ±0.25MM .XX ±0.1MM .XXX ±0.1MM	
Thire angle Projection General Dimesion Tolerance		Units mm